

Spandeck

Walkways & Platform Systems



INSTANT

QUALITY & STRENGTH YOU CAN TRUST



SPANDECK

Spandek is a lightweight aluminium walkway bridge, work platform and staging system in one versatile unit.

Thanks to its unique reversible design and double side hooks **Spandek** can be used individually as a walkway or side by side as staging.

High strength aluminium alloy construction ensures **Spandek** is lightweight and remains maintenance free whilst integral toeboards enable it to be used safely as a walkway. Guardrail posts and guardrails are fitted to provide a safe working environment.

Staging

Spandek can be inverted and used in multiple combinations to provide decks and work platforms of virtually unlimited dimensions. The unique hook design allows **Spandek** to be positively connected for multi-width use and also provide a positive location between towers or traditional scaffold systems.



Towers can be bridged with **Spandek** to provide large safe working areas.

Walkways

With almost 50 years in the business of getting people safely to high level work locations, Instant UpRight are one of the most respected manufacturers of access equipment in the world.

Spandek Modular Walkway Systems provide the simple, cost-effective and safe answer to all your high level access requirements. Using just a small number of standard components, the system is easy to specify yet is versatile enough for the most demanding of locations. Installation is quick and simple and thanks to the light weight, the need for expensive craneage is reduced.

Because **Spandek** Walkways are designed specifically for this application they not only give you higher performance, but in most cases actually cost you considerably less than traditional site-fabricated products.

Providing full compliance, where applicable, with BS6399 (part 1) 1996 and BS5395 (part 3) 1995, subject to detailed specification, **Spandek** Walkway systems are manufactured using procedures approved to ISO 9001.

Our list of Worldwide client references speaks for itself, so if you need the highest quality and best price for a walkway make sure you contact us first.



Walkways can be mounted on rollers to provide mobile Access Gantries.



Custom designed steps can be provided to cater for obstacles or changes in level.



Four way intersection deck pieces are a standard option.

Deck sections are designed for use with standing seam roofing system clips.



John Lewis Partnership - Access to stock picking conveyor system in warehouse.



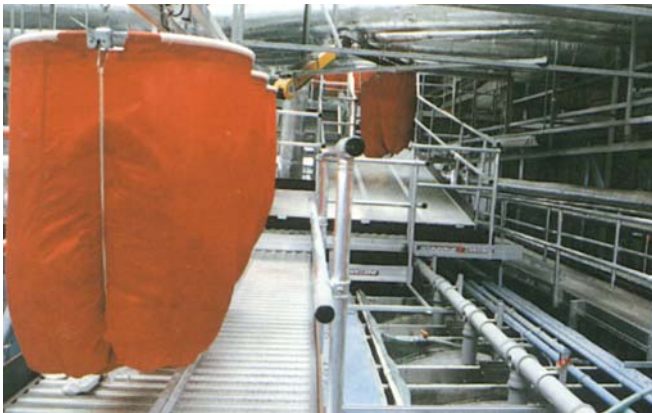
Wall bracket mounted access to soil pipes above busy thoroughfare - City College, London.



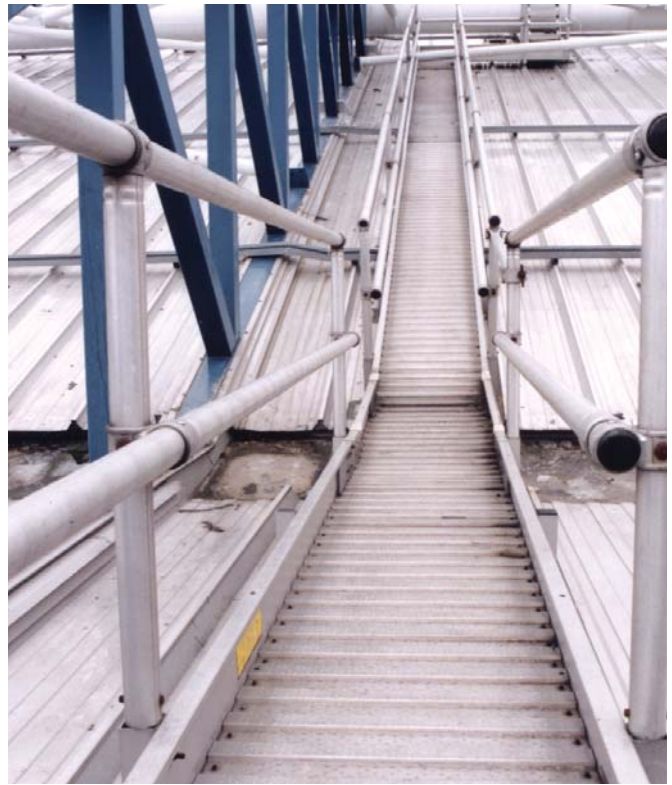
Access over profiled roof to air conditioning plant - Bath University.



The permanent installation of a suspended Spandeck walkway in the Royal Signals Museum provides access to roof work areas such as air conditioning without closing exhibition to the public.



Double width walkway in industrial laundry provides maintenance access to conveyor and prevents debris falling into machinery below.



Glasgow Rangers F.C. Stadium Roof Walkway.



Manchester Town Hall - walkway over fragile roof.

SPANDECK MODULAR WALKWAY SYSTEMS

MANUFACTURED BY
INSTANT UPRIGHT
www.instantupright.com



Double width walkway with T-junction. Note midrail and toeboards.



Roofing

Spandeck has become the first choice for specifiers of roof access thanks to Instant UpRight's programme of ongoing development to improve safety whilst working at height.

In conjunction with major roofing contractors and safety officers, we have a number of safety products designed to ensure safe roof access without hindering work progress.

Extensive mobile runs are created by linking **Spandeck** together and becomes mobile by unlocking the **Spandeck** Roofing trolleys and pushing the unit to the desired location.

Your safety harness simply clips to the horizontal safety line.



Spantrack

Spantrack is an innovative new continuous safety harness track - simply clip your harness to **spantrack** to provide uninterrupted movement along the length of your Spandeck.

Trailing edge protection frames are securely fixed to the **Spandeck** by unique 'quick-fit' fixing bracket.



Leading & Trailing Edge Protection

Instant UpRight have developed a method of protecting personnel on both leading and trailing edge. Leading edge protection is provided by double guardrails whilst trailing edge protection is provided by the innovative trailing edge system.



Lightweight trailing edge protection frame offers safe and easy manoeuvrability.



SAFETY TRAINING COURSES
SPANDECK • SAFE ROOF WORK
Other safety training courses are available

S P E C I F I C A T I O N S

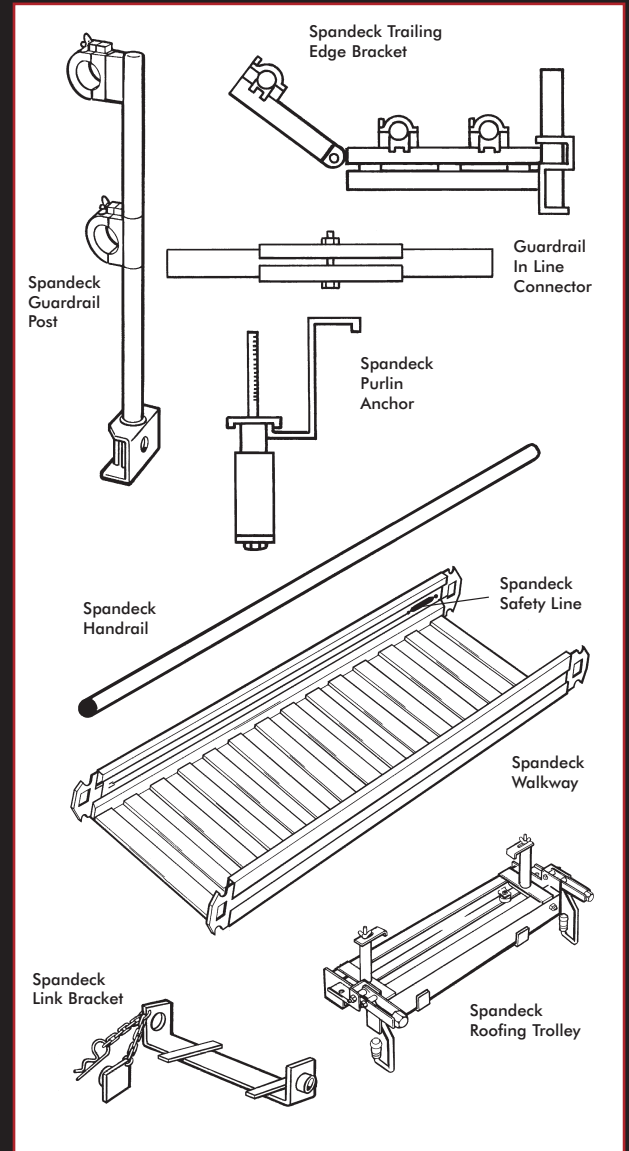
Components	Part No.	Description	Weight kg
PLATFORMS	88012	3.7m(12') Deck Length	30
	88014	4.3m(14') Deck Length	34
	88016	5.0m(16') Deck Length	39
	88018	5.5m(18') Deck Length	43
	88020	6.1m(20') Deck Length	47
	88022	6.7m(22') Deck Length	51
	88024	7.3m(24') Deck Length	55
	88030	9.1m(30') Deck Length	79
	88230	9.1m(30') Two Section	92
GUARDRAIL POSTS	88065	1.0m High	3.7
	88095	0.9m High	3.6
HANDRAILS	85016	For 3.7m Spandeck	4.1
		For 4.3m Spandeck	4.8
		For 5.0m Spandeck	5.5
		For 5.5m Spandeck	6.1
		For 6.1m Spandeck	6.8
		For 6.7m Spandeck	7.7
		For 7.3m Spandeck	8.5
TOEBOARDS	88084	Side, 1.2m x 0.15m High	1.8
	88086	Side, 1.8m x 0.15m High	2.9
	88184	End, 1.2m Long	2.5
	88186	End, 1.8m Long	3.5
	ACCESSORIES	88220	Fish Plates with nut & bolts
88110		Short Knee Brace	3.2
88111		Long Knee Brace	3.9
3939		Spandeck Roofing Trolley	8.6
LPO-81		Link Bracket	3.6
LPO-82		Purlin Anchor	2.0
SP811-45		Trailing Edge Bracket	7.0
9067		Tube Connector	0.2
603		Right Angled Coupler	0.9

ACCESSORIES

- Integral Horizontal Safety Line system (requires harness)
- Trailing Edge Protection
- Spandeck Roofing Trolley
- Spantrack Continuous Safety Line (requires harness).

STANDARD FEATURES

- Quick and easy to install
- Lightweight and durable
- Non slip self draining surface
- Integral toeboards



SAFE WORKING LOADS

Part no.	SWL
88012	900 KG DISTRIBUTED
88014	770 KG DISTRIBUTED
88016	675 KG DISTRIBUTED
88018	600 KG DISTRIBUTED
88020	540 KG DISTRIBUTED
88022	490 KG DISTRIBUTED
88024	450 KG DISTRIBUTED
88030	450 KG DISTRIBUTED
88230	400 KG DISTRIBUTED



Planet Platforms Ltd.
 Brunel Close
 Century Park
 Wakefield 41 Industrial Estate
 Wakefield
 WF2 0XG
 T: +44 (0)1924 263377
 F: +44 (0)1924 267090
 E: info@planetplatforms.co.uk
www.planetplatforms.co.uk



Specifications subject to change without notice. Photos and diagrams in this brochure are for promotional purposes only. Refer to appropriate Instant Upright Operator's manual for detailed instructions on the proper use and maintenance of this equipment. UpRight also manufacture a complete line of aluminium towers and aerial work platforms. Contact your Instant Upright distributor below for information on other products.